

OMNIA

STAINLESS STEEL & MAX•STEEL™





OMNIA expands upon its collection of decorative door hardware with the Stainless Steel and Max•Steel latchsets and locksets. Both lines reflect the classic beauty and timeless appeal of stainless steel, while offering unparalleled levels of style and function.

Stainless Steel

OMNIA's line of Stainless Steel lever latchsets and locksets is designed to enhance any setting where a modern, sophisticated look is desired. Every piece is strong and durable, made from premium grade material and coupled with interior components that prove worthy of OMNIA's exceptional standards.

Max•Steel

Our innovative Max•Steel finish will change the way you think about stainless steel. The unique process employed in the manufacturing of our Max•Steel line provides superior resistance to tarnishing and pitting. The added benefit lies in the special malleability of Max•Steel which expands the range of design options that had been virtually impossible to produce in stainless steel. Elaborate, curvilinear and traditional designs that replicate the cool, crisp beauty of stainless steel are now within reach.

Whether you select Stainless Steel or Max•Steel, be assured that the same extraordinary quality of craftsmanship that has been our hallmark for 50 years, remains integral to every product that proudly bears the OMNIA imprint. Stainless Steel or Max•Steel...the choice is yours. The quality, however, is ours alone.



TABLE OF CONTENTS

Section	Page
STAINLESS STEEL	3-7
Stainless Steel Latchsets Product Data	3
Stainless Steel Lever Latchsets	4-5
Stainless Steel Product Data	6
Stainless Steel Privacy Bolt & Ball Catch	6
Stainless Steel Entrance Handlesets	7
Stainless Steel Auxiliary Deadbolts	7
Stainless Steel Door Stops	7
MAX•STEEL	8-11
Max•Steel Latchsets Product Data	8
Max•Steel Lever & Knob Latchsets	9
Max•Steel Mortise & Deadbolt Locksets	10
Max•Steel Tudor Entrance Handleset	10
Max•Steel Auxiliary Deadbolts	10
Max•Steel Locksets Product Data	11

FINISH OPTIONS

- US32 Polished Stainless Steel
- US32D Satin Stainless Steel
- MAX•STEEL MAX•STEEL™ PVD Plated

CARE OF PRODUCT

OMNIA's Stainless Steel requires minimal attention and will not tarnish or corrode under normal circumstances. However, exposure to certain chemical or environmental conditions may promote surface oxidation. Please be aware that this is not a defect in the stainless steel but a reaction on the surface of the finish to the chemical environment which can be removed with a stainless steel polish, or steel wool.

Stainless Steel Latchsets

- Will fit 2³/₈" bore.
- For commercial and residential use.
- 2³/₈" and 2³/₄" backsets available.
- Supplied for 2³/₈" backset and 1³/₈" door thickness unless otherwise specified.
- All lever latchsets are ADA approved.

Latch Features

- 28° retraction.
- 8 mm hub.
- Adjustable faceplate/armor plate for beveled doors.
- Built-in privacy feature with automatic release by inside lever or depression of latch nose.
- All dimensions are standard to fit existing bores for replacement installations.
- No. 013 "T" strike supplied as a standard or No. 014 "Full Lip" strike as an option at no extra charge. No. 019 4⁷/₈" ASA strike also available. Specify when ordering. (See page 8 for diagram.)

Concealed Screw Roses:

Self-aligning, spring-assisted roses.

- 2⁷/₁₆" dia. x 1¹/₂" proj. Shipped standard.
- 2" dia. x 7⁷/₁₆" proj. Optional. (To achieve a privacy function, a separate mortise privacy bolt must be ordered.)

Functions

Passage: Latch operates by lever from either side of door. Uses 8mm solid spindle.

Privacy: Latch operates by lever from either side. Push button on interior rose engages privacy; emergency release hole is on exterior rose. Turning inside lever will release privacy and retract latchbolt. For bathroom or bedroom. Uses 8mm split spindle.

Pair Dummy: Trim on both sides of door.

Single Dummy: Trim on one side of door only.

Passage Latches (8mm Hub)

107LPA38 2³/₈" backset
Passage Lever Latch

107LPA34 2³/₄" backset
Passage Lever Latch

Privacy Latches (8mm Hub)

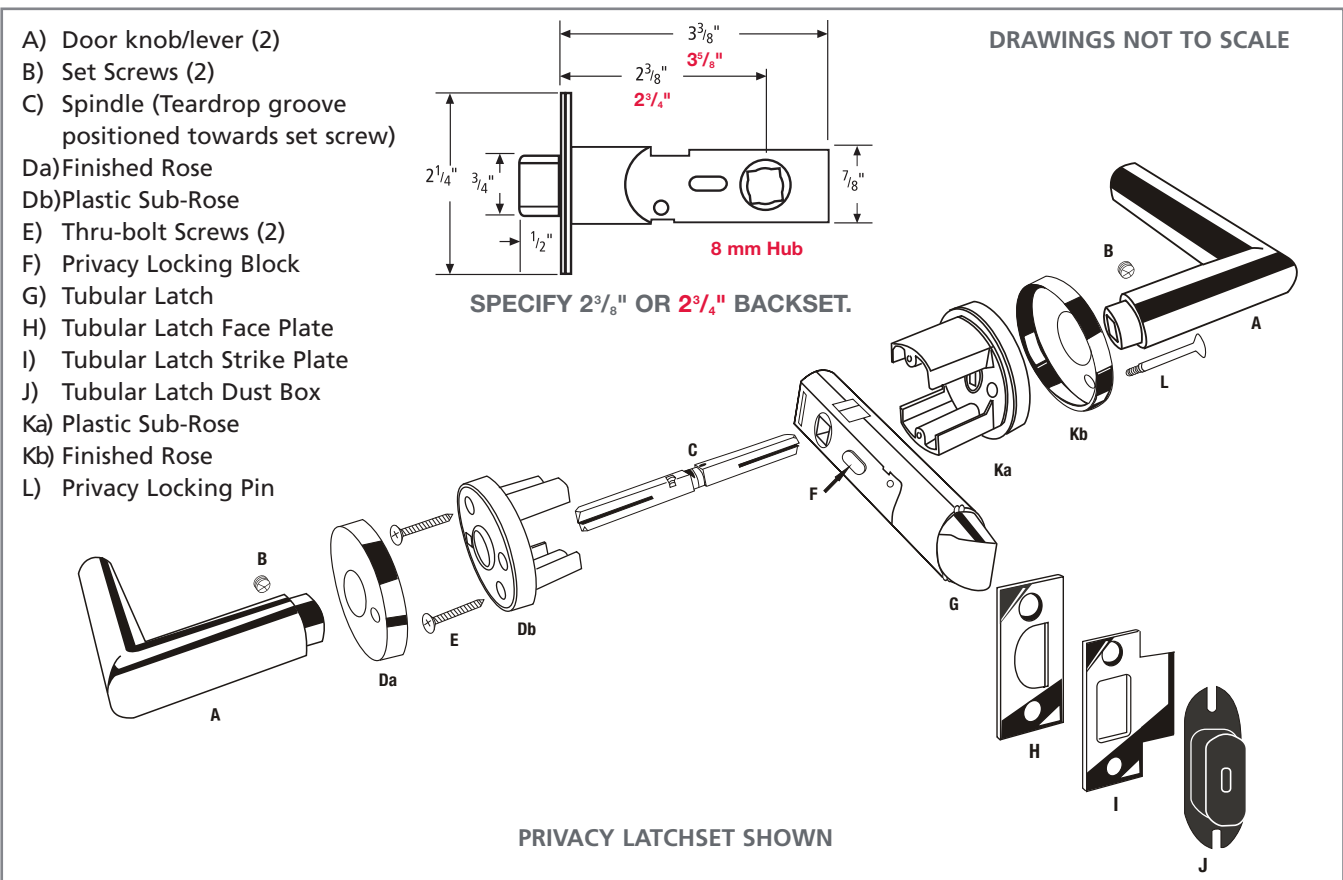
108LPR38 2³/₈" backset
Privacy Lever Latch

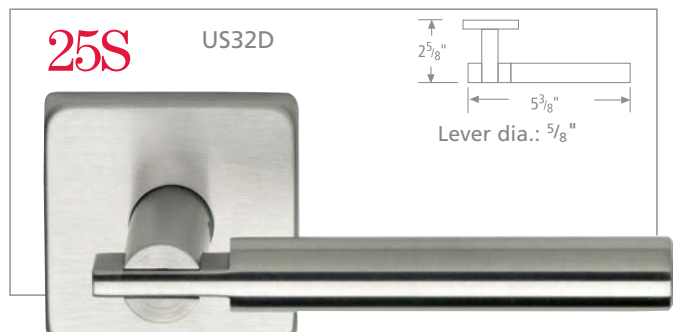
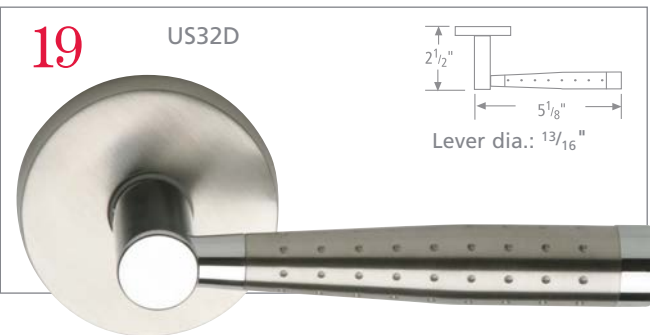
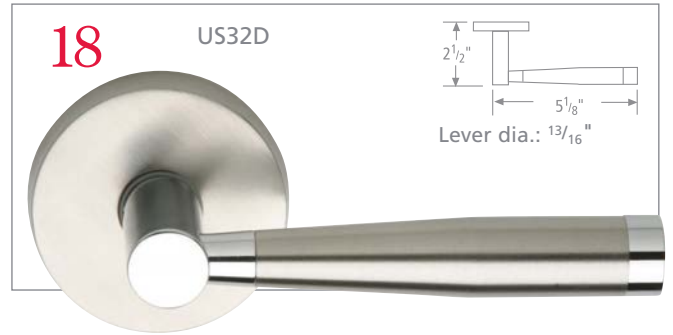
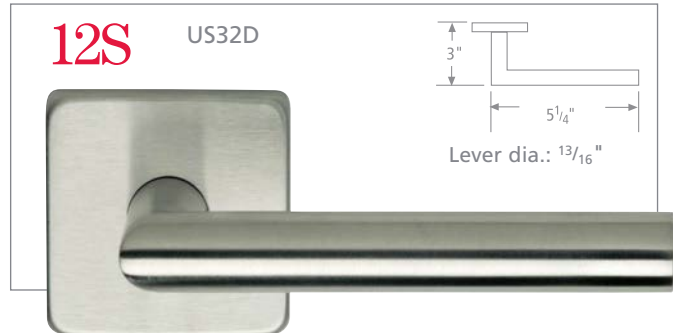
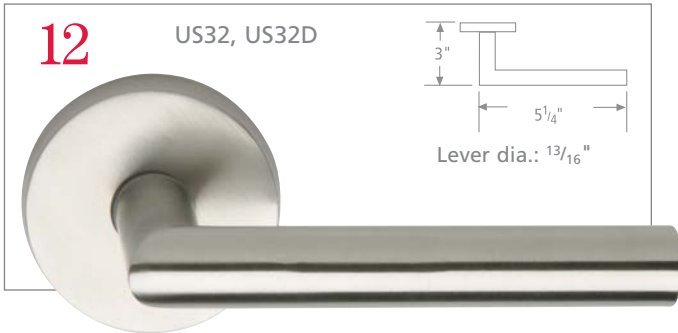
108LPR34 2³/₄" backset
Privacy Lever Latch

The above part numbers should be used when ordering latches only.

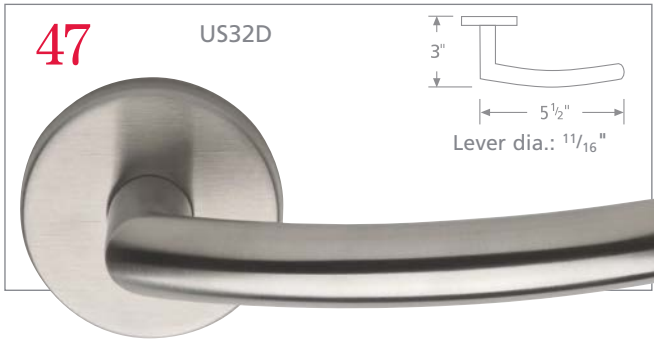
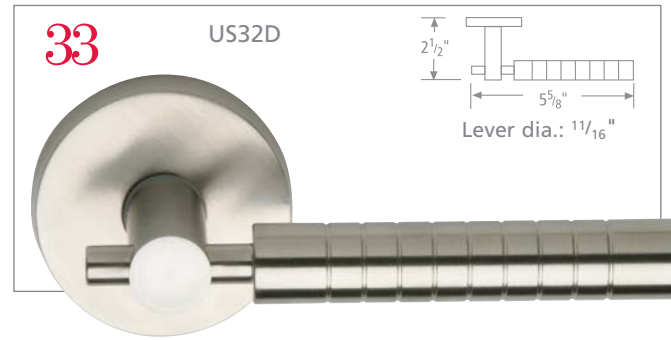
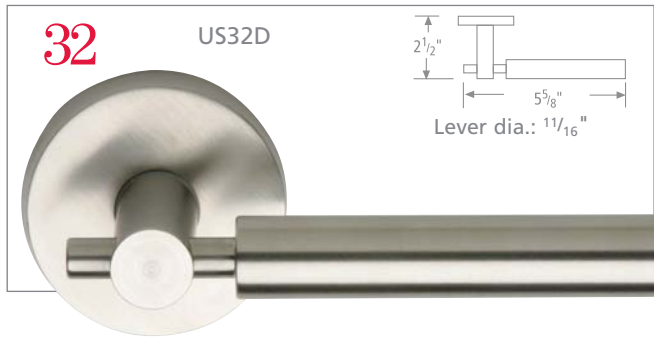
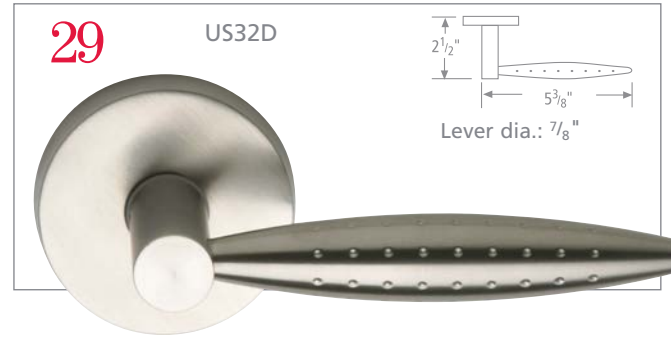


All OMNIA lever latchsets meet ADA accessibility requirements.





NOTE: All leversets also available with small rose as shown here. To accomplish privacy function, use separate #6000 bolt.





STAINLESS STEEL

Stainless Steel Metro and Urban Tubular Deadbolt Handlesets

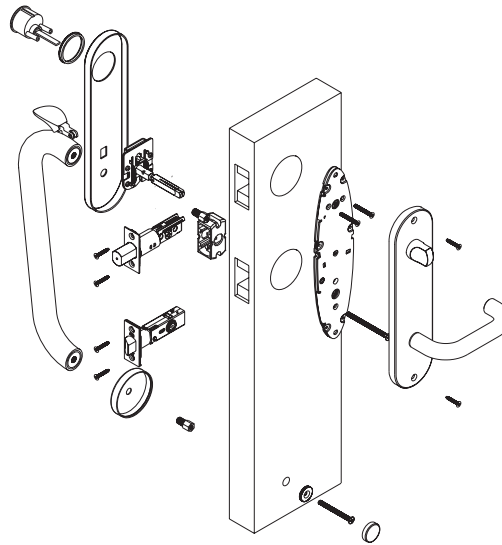
Available with two backset options – 2³/₈" or 2³/₄" (2³/₈" backset shipped standard). Please specify when ordering.

Lockset Options: **F, PD, SDE, SDI** (see box below)

Metro Dimensions

5¹/₂" center to center
 Exterior (Top Plate) and Interior:
 10¹/₄" x 2³/₁₆" x 7¹/₁₆"
 Exterior (Bottom Rose): 2¹/₁₆" diameter

Overall:
 Exterior: Length 16⁷/₈" x 3⁵/₁₆" projection
 Interior: Length 10¹/₄" x 2⁷/₈" projection



Urban Dimensions

5¹/₂" center to center
 Exterior (Top Plate) and Interior:
 10¹/₂" x 2¹/₂" x 7¹/₁₆"
 Exterior (Bottom Rose): 2" square

Overall:
 Exterior: Length 16³/₄" x 2³/₈" projection
 Interior: Length 10¹/₂" x 2⁵/₈" projection

Lock Options

- Single Cylinder – **A**
- Double Cylinder – **AC**
- Panic Proof Entry – **F**
- Pair Dummy – **PD**
- Single Dummy Exterior – **SDE**
- Single Dummy Interior – **SDI**

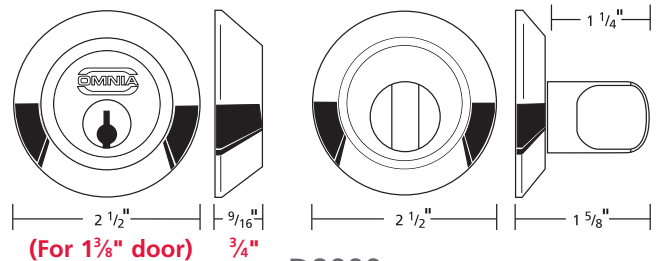
Stainless Steel Auxiliary Deadbolt Kits

Available in 2³/₈" or 2³/₄" backset. D9000 and D9000S fit in 2¹/₈" standard bore. D9002 fits in 1¹/₂" bore.

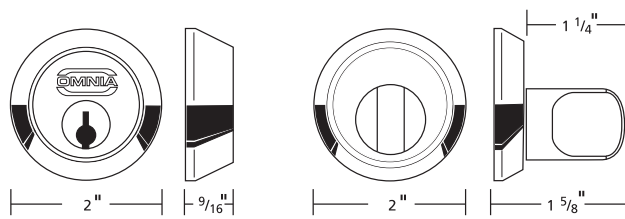
Door Thickness: The D9000, D9000S and the D9002 are available for 1³/₈" or 1³/₄" thick doors.

Lock Options: **A and AC** (see box above)

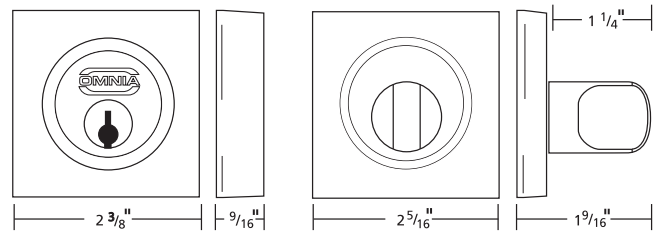
All OMNIA cylinders are provided with a Schlage C keyway.



D9000



D9002



D9000S

Stainless Steel Privacy Bolt

Available in 2³/₈" or 2³/₄" backset.

Faceplate: 2¹/₄" x 1". Strike: 2³/₄" dia. x 1¹/₈".

Inside & Outside Rose: 2" dia x 3³/₈" depth.

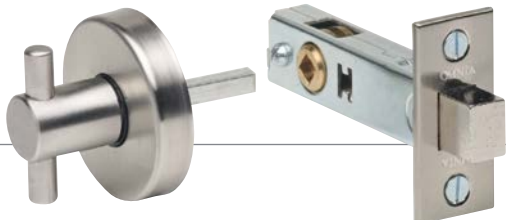
Inside Turnpiece: 1³/₄" w x 1¹/₄" proj. Bolt: 5⁸/₈".



Exterior View

6000

Privacy Bolt
US32D



Ball Catch*

Faceplate: 2¹/₈" l x 1" w. Strike Plate: 2¹/₈" l x 1³/₈" w.
 Barrel Diameter: 3⁴/₈" dia. x 1¹/₄" length.

1600

Ball Catch
US15



* Ball projection is adjustable.



Not for standard 2 1/8" door prep.

Stainless Steel Floor Door Stop

- | | |
|---|-------------------------------------|
| 7000 1 1/16" dia. x 1 11/16" ht. | 7001 7/8" dia. x 1 3/16" ht. |
| 7602 1" dia. x 1 11/16" ht. | 7605 1" dia. x 3 3/4" proj. |
| 7610 1" dia. x 1 3/8" ht. | 7620 1" sq. x 1 3/8" ht. |



Max•Steel Latchsets

- Will fit 2¹/₈" bore.
- For commercial and residential use.
- 2³/₈" and 2³/₄" backsets available.
- Supplied for 2³/₈" backset and 1³/₈" door thickness unless otherwise specified.
- All lever latchsets are ADA approved.

Latch Features

- 28° retraction.
- 7 mm hub.
- Adjustable faceplate/armor plate for beveled doors.
- Built-in privacy feature with automatic release by inside lever or depression of latch nose.
- All dimensions are standard to fit existing bores for replacement installations.
- Faceplates and strikes are solid brass. No. 013 "T" strike supplied as a standard or No. 014 "Full Lip" strike as an option at no extra charge. No. 019 4⁷/₈" ASA strike also available. Specify when ordering.
- Critical interior parts are made of solid brass.

Concealed Screw Roses:

Thru-bolted roses

- Modern 2⁹/₁₆" dia. x 7¹/₁₆" proj.
- Traditional 2⁵/₈" dia. x 1¹/₂" proj.

Functions

Passage: Latch operates by knob or lever from either side of door. Uses 7mm solid spindle.

Privacy: Latch operates by knob or lever from either side. Push button on interior engages privacy; emergency release hole is on exterior rose. Turning inside lever will release privacy and retract latchbolt. For bathroom or bedroom. Uses 7mm split spindle.

Pair Dummy: Trim on both sides of door.

Single Dummy: Trim on one side of door only.

Passage Latches (7mm Hub)

- 105KPA38** 2³/₈" backset
Passage Knob Latch
- 105LPA38** 2³/₈" backset
Passage Lever Latch
- 105KPA34** 2³/₄" backset
Passage Knob Latch
- 105LPA34** 2³/₄" backset
Passage Lever Latch

Privacy Latches (7mm Hub)

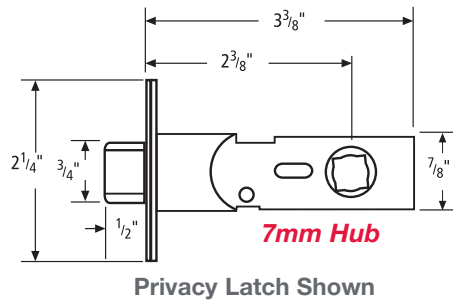
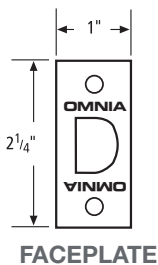
- 106KPR38** 2³/₈" backset
Privacy Knob Latch
- 106LPR38** 2³/₈" backset
Privacy Lever Latch
- 106KPR34** 2³/₄" backset
Privacy Knob Latch
- 106LPR34** 2³/₄" backset
Privacy Lever Latch

The above part numbers should be used when ordering latches only.

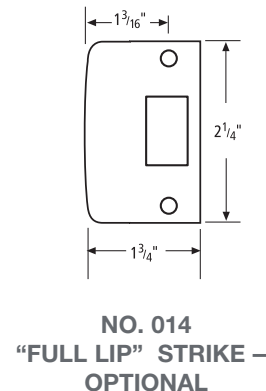
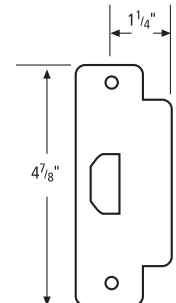
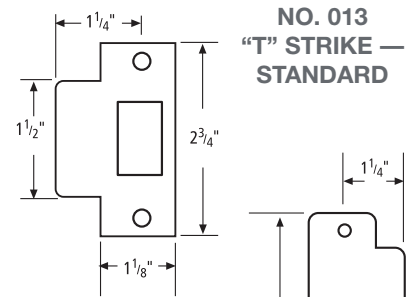
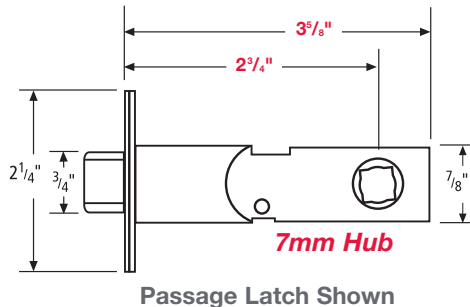


All OMNIA lever latchsets meet ADA accessibility requirements.

DRAWINGS NOT TO SCALE



■ SPECIFY 2³/₈" OR 2³/₄" BACKSET. ■





The MAX•STEEL Finish



11055 Mortise with Plates
1055 Mortise with Roses
D11055 Deadbolt with Plates
 10⁵/₈" Overall
 MAX•STEEL



11432 Mortise with Plates
1432 Mortise with Roses
D11432 Deadbolt with Plates
 10⁵/₈" Overall
 MAX•STEEL



11442 Mortise with Plates
1442 Mortise with Roses
D11442 Deadbolt with Plates
 10⁵/₈" Overall
 MAX•STEEL



11752 Mortise with Plates
1752 Mortise with Roses
D11752 Deadbolt with Plates
 10⁵/₈" Overall
 MAX•STEEL



12036 Mortise with Plates
2036 Mortise with Roses
D12036 Deadbolt with Plates
 10¹/₆" Overall
 MAX•STEEL



12042 Mortise with Plates
2042 Mortise with Roses
D12042 Deadbolt with Plates
 10¹/₆" Overall
 MAX•STEEL



D0806 Modern Auxiliary Deadbolt
 MAX•STEEL



D0806L Modern Low Profile Auxiliary Deadbolt
 MAX•STEEL



D0806T Traditional Auxiliary Deadbolt
 MAX•STEEL



Tudor
 Mortise Entrance Handle
 16" Overall
 MAX•STEEL




Tudor Interior Trim With 432 Knob
 Tudor Interior Trim With 752 Lever

Max•Steel Tudor Mortise Entrance Handleset

With Thumbpiece and Handle Pull.

Available with two backset options — 2½" or 2¾". 2½" backset shipped standard. Please specify when ordering.

Lock Options: **A, AC, F, PD, SDE and SDI** (see box below)

Tudor Backplate Dimensions

Exterior (Top Plate) and Interior:
10⁵/₁₆" x 2³/₄" x 5¹/₁₆"

Exterior (Bottom Plate):
3¹/₁₆" x 1³/₄" x 5¹/₁₆"

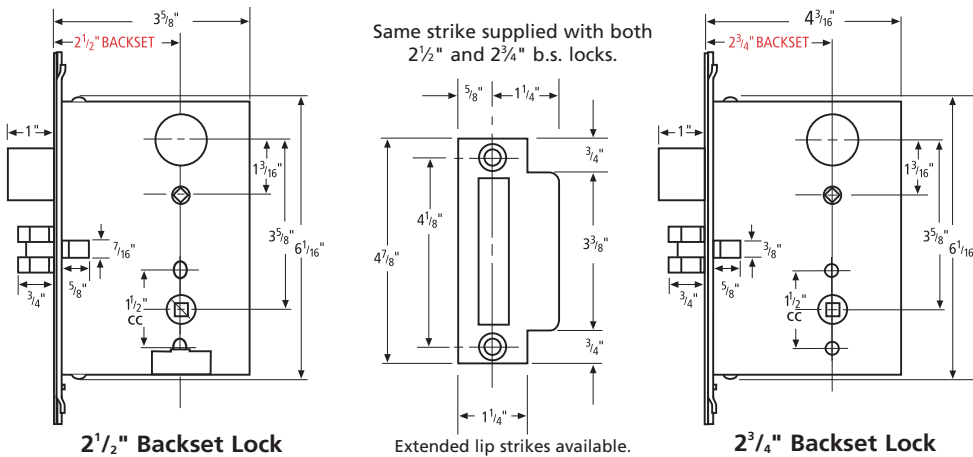


Made In U.S.A.
Conforms to ANSI/BHMA
Series 1000 Standards

Max•Steel Mortise Locksets with Plates or Roses

Available with two backset options — 2½" or 2¾". Please specify when ordering.

Lock Options: **A, AC, F, EW, J, L, N, PD and SD** (see box below)



DRAWINGS NOT TO SCALE



Made In U.S.A.
Conforms to ANSI/BHMA
Series 1000 Standards

Max•Steel Deadbolt Locksets with Plates

Available with two backset options — 2³/₈" or 2³/₄". Please specify when ordering.

Lock Options: **A and AC** (see box below)

Max•Steel Auxiliary Deadbolt Kits

Available in 2³/₈" or 2³/₄" backset. Fits in 2¹/₈" standard bore.

Lock Options: **A and AC** (see box below)

Max•Steel Mortise and Deadbolt Rose and Backplate Dimensions

1000 Series – Traditional Roses 2⁵/₈" dia. x 1/2"

2000 Series – Modern Roses 2³/₁₆" dia. x 7/16"

11000 Series – Traditional Backplates 10⁵/₈" x 2³/₈" x 5¹/₁₆"

12000 Series – Modern Backplates 10⁹/₁₆" x 2³/₈" x 5¹/₁₆"

Lock Options

Single Cylinder – **A**

Double Cylinder – **AC**

Panic Proof Entry – **F**

Storeroom – **EW**

Single Dummy Exterior – **SDE**

Single Dummy Interior – **SDI**

Classroom – **J**

Privacy – **L**

Passage – **N**

Pair Dummy – **PD**

Single Dummy – **SD**

■ Other Functions Available ■



All OMNIA lever locksets meet
ADA accessibility requirements.





Stainless Steel also available in a full line of cabinet hardware and door pulls.



Box 330, Cedar Grove, NJ 07009 ■ www.OmniaIndustries.com ■ 973.239.7272 ■ Fax: 973.239.5960

© Copyright 2013, OMNIA Industries, Inc.



No. SSMSC1013